

## High Security

Stainless steel one part body and striker

## Holding Force

1,350kg (3,000lb) - factory tested

## Dual Monitoring

Solenoid and latch bolt  
3 amp change over contacts

## Compact Shallow Body

27mm overall depth

## Fixing Tab Options

Extended tabs for timber - ES2400  
Single fixing for metal - ES2000

## Low Current Consumption

175mA - 12v DC continuous ( $\pm 15\%$ )  
88mA - 24v DC continuous ( $\pm 15\%$ )

## Patented Locking System

Shear line technology - incorporating 3  
case hardened locking pins

## Fire Safety

2 hour fire rating

## Easy Installation

Stick on / peel off template

## Options

Unmonitored version - ES240/ES200  
Lipless version - ES2000/200 only  
Extension lips - 25mm and 50mm  
Rebate plates - Standard 13mm

## Spares

Solenoid kits - 12v DC and 24v DC  
Replacement Pin kit

## Approvals

UL1034 (highest level) Tested to  $10^6$  cycles  
CE - BS EN 50081-1 and BS EN 50082-1  
BS 5872

## AC Compatibility (with RM1)

The Rectifier Sounder Module enables operation  
with AC voltages.

The sounder can be set for either buzzing or  
silence with both AC and DC voltages.

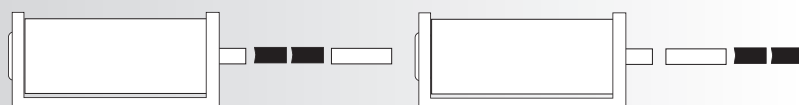
The IEC RM1 unit is continuously rated - max 1 amp.



The TRIMEC ES2400 series High Security monitored Strikes are designed for timber applications using extended tabs with twin fixings. The ES2000 series has a similar construction and is suitable for metal applications. A lipless version of this type is also available for use with gap guards.

## UNIQUE TO TRIMEC & SO SIMPLE TO DO!

Changing the sequence of the pins changes the function of the strike



Power to Open/Fail Secure

Power to Lock/Fail Open



*First Choice for Locking Solutions*

T 01202 676262 F 01202 680101 E info@iecltd.co.uk W www.iecltd.co.uk

Dimensions are shown in millimetres

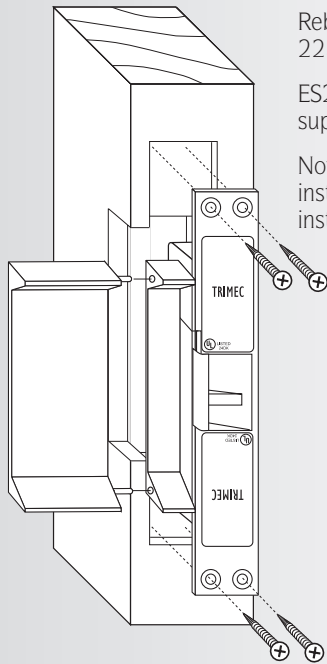
Illustrated ES2400 timber door preparation

25mm & 50mm Extension Lips are available as extras

Rebate plate imensions 225Lx31W x15D

ES2000 - Mounting kit supplied

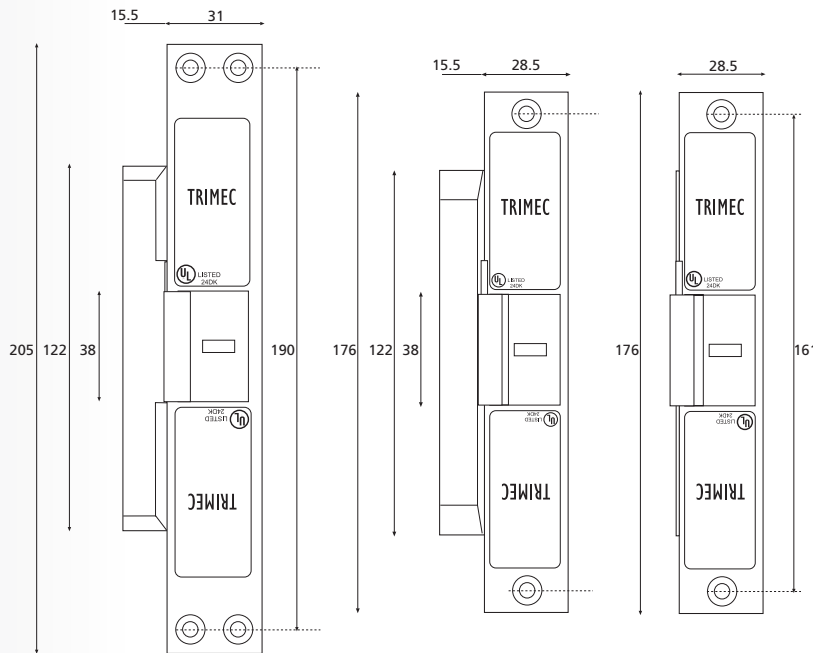
Note: For detail of installation see instructions/ template



ES2400 Overall depth 27mm

ES2000 Overall depth 27mm

ES2000 Lipless Overall depth 27mm



## Lock Compatibility Accepts 15mm latch bolt when fitted with 3mm door gap

COMPANY	MODEL	COMPANY	MODEL
Adams-Rite	4710, 4720, 4750	IEC	SEU511, SEU512, SEU513, SEU514, 5245701 to 5245706, 5245101 to 5245104
ASEC	AS1094, AS1095	Legge	8767, 8157N, E900
ASSA	3059, 3061, 3062, 8516, 8517, 8518, 8519, 8760, 8761, 8762, 8764	Union	2332, 2341, 2349, 2370, 2379
Chubb	3R35	Viro	8516, 8517, 8518, 8519
		Yale	3600, 3610, 4103, 6025, 6070

## Ordering Information

DESCRIPTION	FUNCTION	CODE	FUNCTION	CODE
<b>Monitored ES2400</b>				
12v DC	Fail Open - Power to Lock	TS2401	Fail Secure - Power to Open	TS2402**
24v DC	Fail Open - Power to Lock	TS2403	Fail Secure - Power to Open	TS2404**
<b>Unmonitored ES240</b>				
12v DC	Fail Open - Power to Lock	TS241	Fail Secure - Power to Open	TS242**
24v DC	Fail Open - Power to Lock	TS243	Fail Secure - Power to Open	TS244**
Rebate Plate	13mm silver anodised	TSS2413		
<b>Monitored ES2000</b>				
12v DC	Fail Open - Power to Lock	TS2001	Fail Secure - Power to Open	TS2002**
24v DC	Fail Open - Power to Lock	TS2003	Fail Secure - Power to Open	TS2004**
<b>Unmonitored ES200</b>				
12v DC	Fail Open - Power to Lock	TS201	Fail Secure - Power to Open	TS202**
24v DC	Fail Open - Power to Lock	TS203	Fail Secure - Power to Open	TS204**
Rebate Plate	13mm silver anodised	TSS2013		
<b>Extension Lip*</b>	25mm	EX2025	50mm	EX2050
<b>Solenoid Kit</b>	Replacement 12v DC	CK200-12	Replacement 24v DC	CK200-24
<b>Pin Kit</b>	Replacement	ES2P		
<b>Rectifier Sounder Module</b>	For AC operation	IEC-RM1		

\*For pre-drilled body add 'X' to code eg TS2401X. No retrospective drilling for extension lips.

For Lipless option of ES2000/200 add '-0' to code eg TS2001-0. \*\*AC compatible strike - add RM1 to code e.g. TS2402-RM1.



**International Engineering Company Ltd** Harwell Rd Nuffield Estate Poole BH17 0BD Great Britain  
The Distributor with the difference

Registered in England 1925337  
© April 2005 IEC. All rights reserved. All dimensions are nominal and subject to tolerances



**T** 01202 676262  
**F** 01202 680101  
**E** info@iecltd.co.uk  
**W** www.iecltd.co.uk