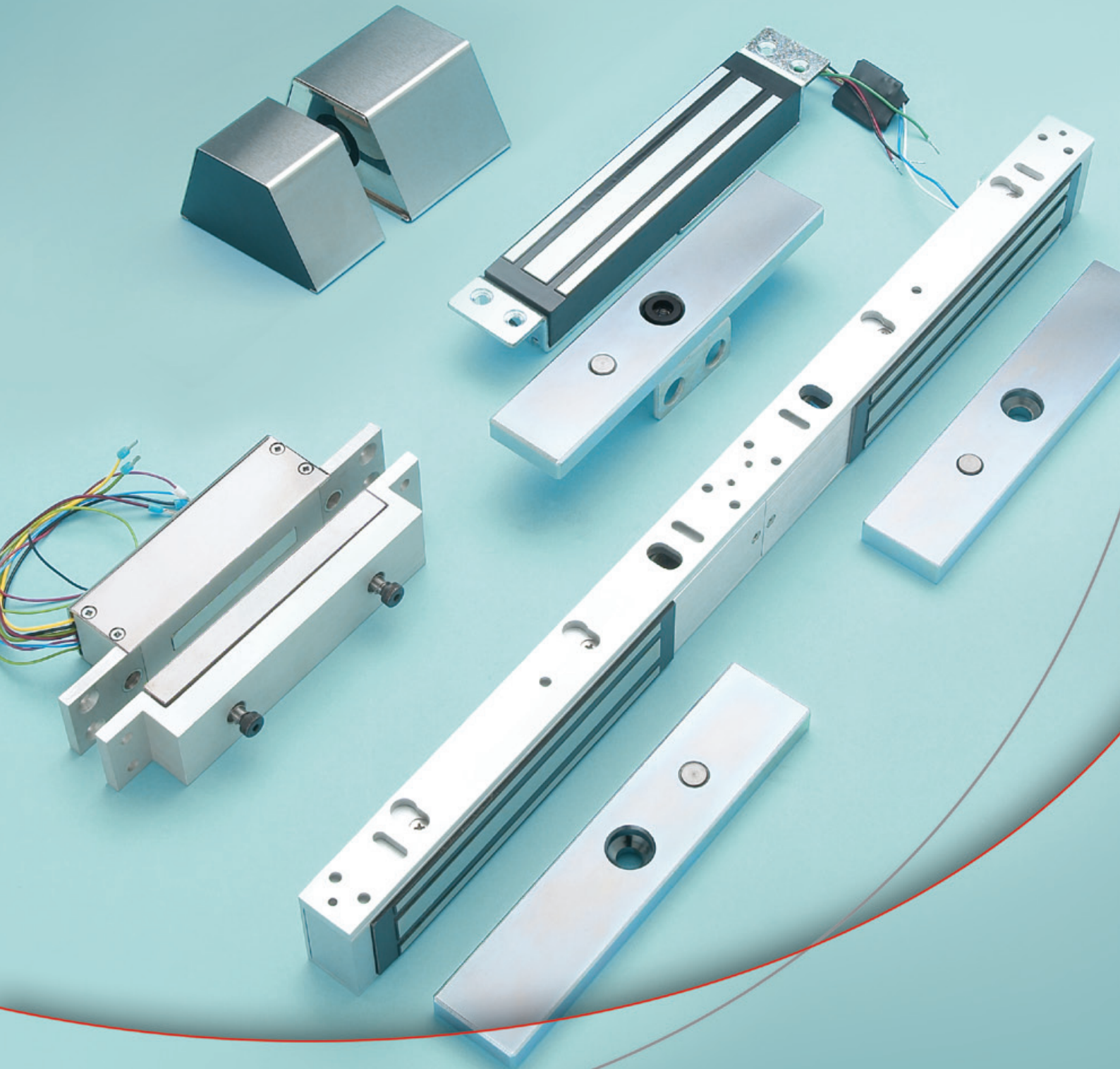


Briton

9500 Series Electromagnetic Locks



The Briton 9500 Series Electromagnets

The Briton 9500 Series is a high quality range of 'face to face' locking devices offering up to 545kg holding force. The range includes small footprint 'mini-mags' for lower security applications and a mortice mounted version for use with custom made architectural housings for single or double door applications.

As standard, 9500 Series electromagnets are suitable for outswing doors but can be converted for use with inswing doors using a series of Z and L brackets.



Features and Benefits

Briton 9500 Series face to face electromagnets have the following features:

Extruded aluminium housing with adjustable mounting bracket makes installation quick and accurate

Electromagnet with holding forces from 270kg (Briton 9551) to 545kg (Briton 9501).

All units are 'fail unlocked' providing safe exit in the event of power failure if interfaced to fire alarm outputs

On-board circuitry makes installation simple. Standard units are unmonitored.

Optional operating features include:

Door status monitor (DSM) indicates that the door is open or closed when monitored remotely

LED indicator on underside of monitored versions

Steel armature is fixed through the door providing a secure mounting

9500 Series Specification

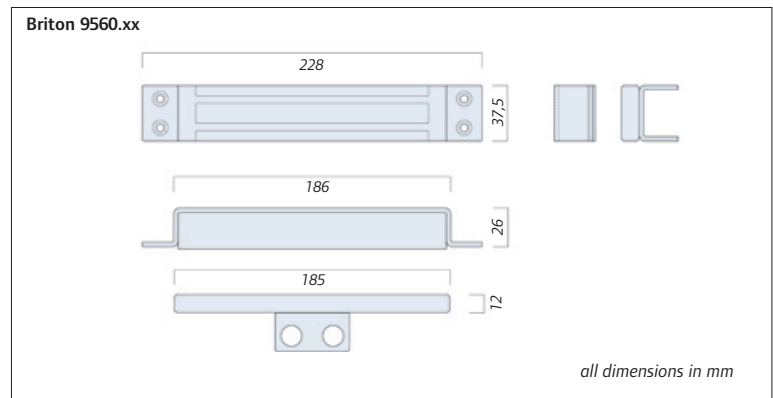
- Voltage - 12v or 24v DC (all models)
- Current Draw - 500mA @ 12v DC (9501/9502/9551/9552)
- 250mA @ 24v DC (9501/9502/9551/9552)
- 480mA @ 12v DC (9560); 240mA @ 24v DC (9560)

9500 Series Specification Options

- Flush mounting armature housing
- Z and L brackets for inswing doors
- Custom horizontal and vertical housings for 9560 magnets

Dimensions (all dimensions are in mm)

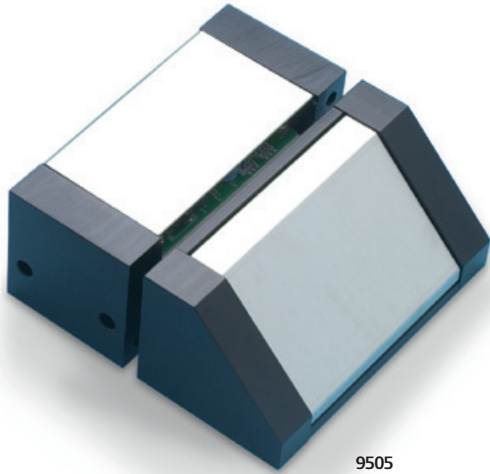
dimension (mm)	Briton 9501	Briton 9551	Briton 9502	Briton 9552
W	266	250	-	-
W2	-	-	532	500
D	40	25	40	25
H	73	42	73	42
Ah	60	38	60	38
Aw	185	185	185	185



Briton 9500 Series Shear Locks

The Briton range of electromagnetic locks includes a selection of surface and mortice mounted shear locks. The combination of magnetic and mechanical holding power of the shear lock makes it an ideal choice for applications requiring a higher level of security than a 'face to face' magnet. In the form of mortice magnets they can also provide the high quality appearance called for in many high specification applications.

Shear locks may be used on inswing, outswing or double action doors and are suitable for use on single doors or in pairs on double door applications.



9505



Features and Benefits

Briton 9500 Series shear magnets have the following features:

Steel outer chassis provides a rugged construction which is durable

On-board electronics make installation simpler

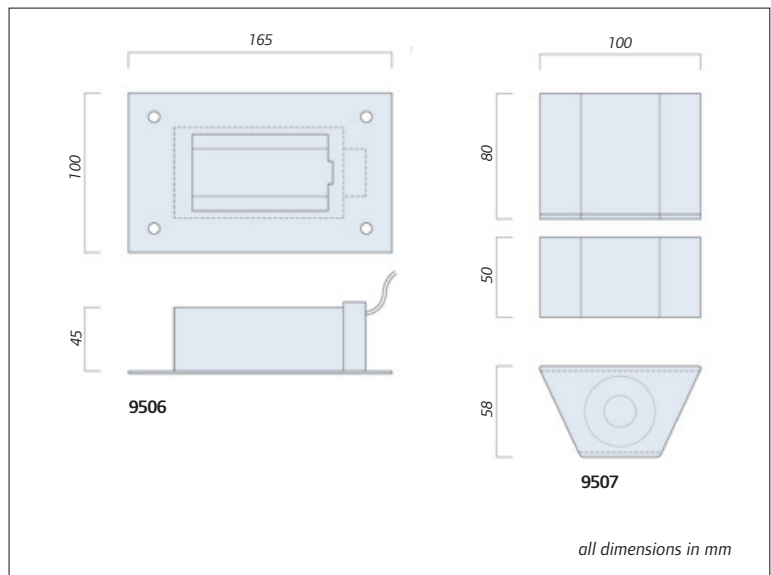
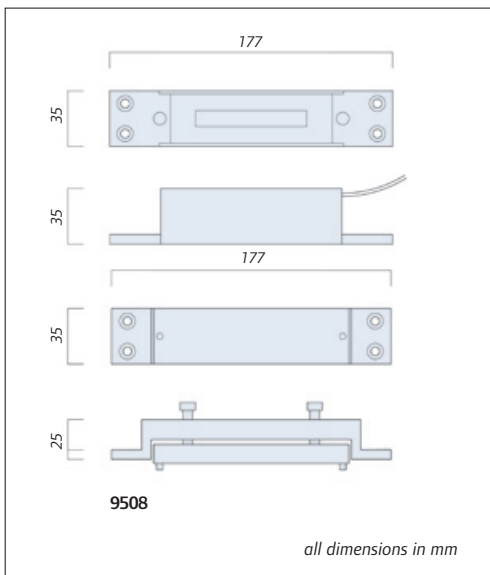
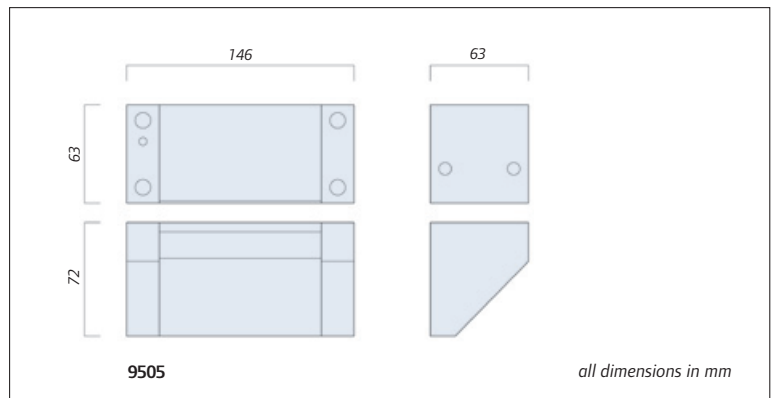
Optional functions of Magnetic Bond Sense (MBS) to remotely monitor the locked/unlocked state of the magnet and Door Status Monitor to remotely monitor the open/closed status of the door

Shear locks have interlocking tabs and grooves on the magnet and armature which provide a mechanical locking mechanism when held together electromagnetically

Floating mechanism (usually in the armature) allows the magnet to pick up across the gap between the door and frame. Normal operating conditions accommodate gaps between door and frame of up to 3mm

9500 Series Shear Lock Specification

- Surface and mortice mounted versions
- Holding forces up to 1360 kg
- All models 12v or 24v DC site selectable (except 9506 - 12v DC)
- Current - 500mA @ 12v (all models)
- 250mA @ 24v (all models)
- All units are 'fail unlocked'
- Suitable for single or double swing doors (see product selector overleaf)



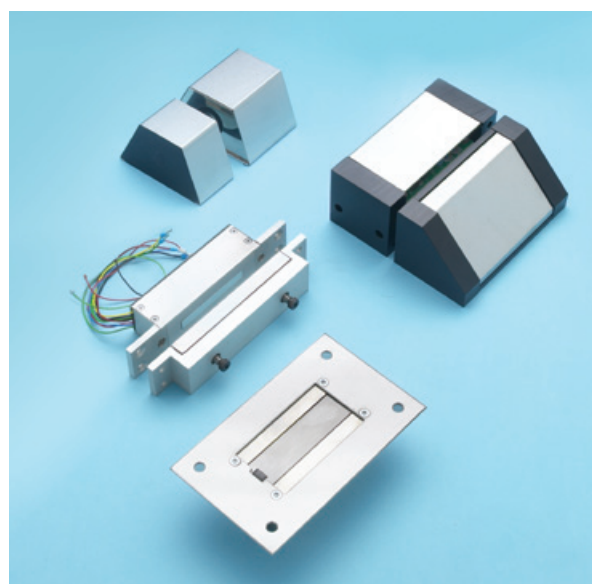
Briton Product Selector - Comparison

- Standard feature
- Available as an option

The following table can be used to compare each of the magnets in the Briton range. Fold out this page to view alongside each of the individual range pages.

9500 Series	product ref	magnet type	mounting type	holding force per leaf (kg)	door types		door swing		features		additional comments
					single	double	single	double	MBS	DSM	
	9551.xx	face to face	surface	270	●		●		○		
	9552.xx	face to face	surface	270		●	●		○		
	9501.xx	face to face	surface	545	●		●		○		
	9502.xx	face to face	surface	545		●	●		○		
	9560.xx	face to face	mortice	270	●		●		○		horizontal and vertical housings available

Shear locks	product ref	magnet type	mounting type	holding force per leaf (kg)	door types		door swing		features		additional comments
					single	double	single	double	MBS	DSM	
	9505.xx	shear	surface	910	●		●	●			stainless steel finish
	9506.xx	shear	mortice	525	●	●	●	●			stainless steel finish
	9507.xx	shear	surface	545	●	●	●				stainless steel finish
	9508.xx	shear	mortice	725	●	●	●	●			
	9508.SK.xx	shear	surface	725	●	●	●	●	○		stainless steel surface mounting kit
	9508.MBS.xx	shear	mortice	725	●	●	●	●	●		



Ingersoll Rand's Security Technologies sector is a leading global provider of products and services that make environments safe, secure and productive. The sector's market-leading products include electronic and biometric access control systems; time and attendance and personnel scheduling systems; mechanical locks and portable security; door closers and exit devices; steel doorsets and automated openings; architectural hardware and technologies and services for global security markets.

Ingersoll Rand Security Technologies

Unit D2 The Waterfront Newburn Riverside Newcastle-Upon-Tyne NE15 8NZ

Tel. 0191 430 2500 Fax. 0191 229 1789

Email info@ingersollrand.co.uk Web ingersollrand.co.uk

Whilst Ingersoll Rand Security Technologies has taken every care to ensure the accuracy of information, data or advice contained in this literature, no liability in respect of such information or advice, whether given negligently or not, can be accepted by the company. Ingersoll Rand retains the right to amend the technical specification of any range of equipment shown, without prior notice.