



Emergency Door Release (Break Glass Unit)

Statement:

The Emergency Door Release, with double pole change over contacts from N/C to N/O. The main function is to override the electrical locking/release devices in case of emergency. With Key to replace glass or reset unit.

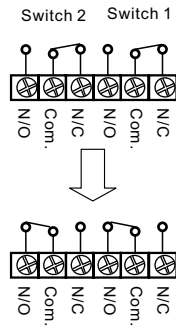


- CP-21R (RED)
- CP-21Y (Yellow)
- CP-21G (Green)
- CP-21W (White)

Specifications:

Dimensions: 88x88x52 mm
 Contact Resistance: 150m
 Switch rated: 3A@125V~

No need to power in. It has a double pole switch for monitoring in case of emergency when glass is broken; the contacts change from N/C to N/O..



Warranty:

GEM access control related accessories are warranted against defects in material and workmanship while used in normal service for a period of 1 year from the date of sale to the original customer.

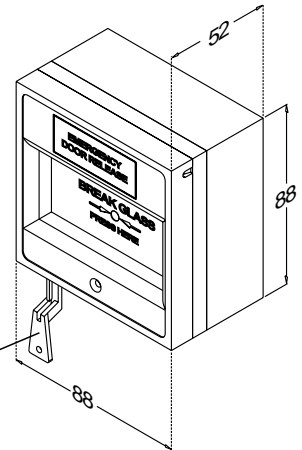
Disclaimer:

The information and specifications printed in this manual are current at the time of publication. The GEM policy is one of continual development and improvement; therefore GEM reserves the right to change specifications without notice.

GIANNI INDUSTRIES, INC.

No.306-1, Hsin Shu Road, Hsin Chuang, Taipei, Taiwan 242
 TEL: 886-2-2206 9929 FAX: 886-2-2204 6632
 E-Mail: info@gianni.com.tw
 Website: www.gianni.com.tw

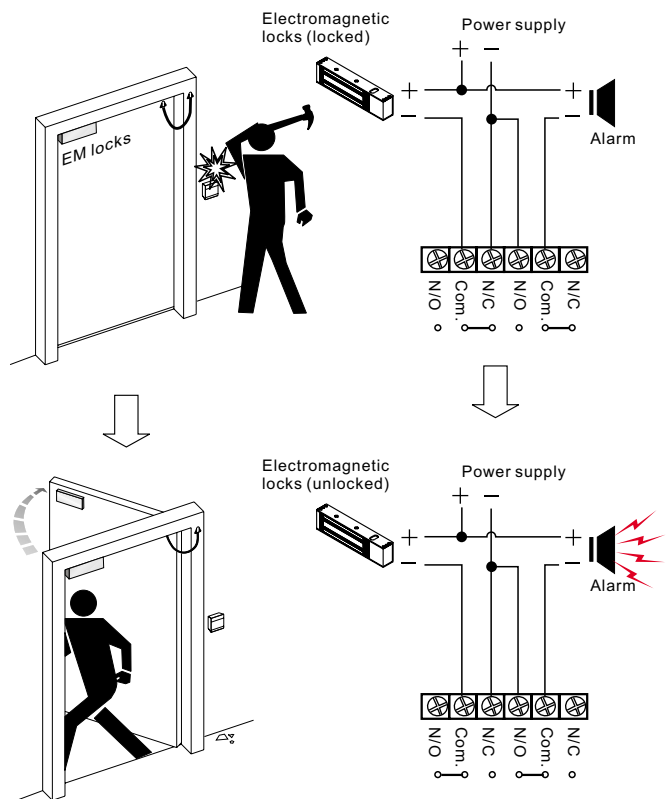
Copyright all rights reserved
 DM-CA-2004-CP-21-22 Ver. B Publish:2005.12.22



Built-in Key (for change break glass)

Unit: mm
 (Common Europe Sized)

Application :



The products are manufactured under an ISO 9001 Certified Quality Management Program environment back its product quality, performance and commitment to customer satisfaction.

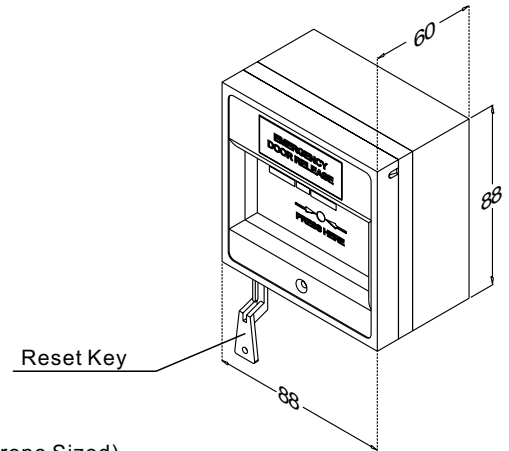


Statement:

The Emergency Door Release, with double pole change over contacts from N/C to N/O. The main function is to override the electrical locking/release devices in case of emergency. With Key to replace glass or reset unit.



CP-22R (RED)
CP-22G (Green)



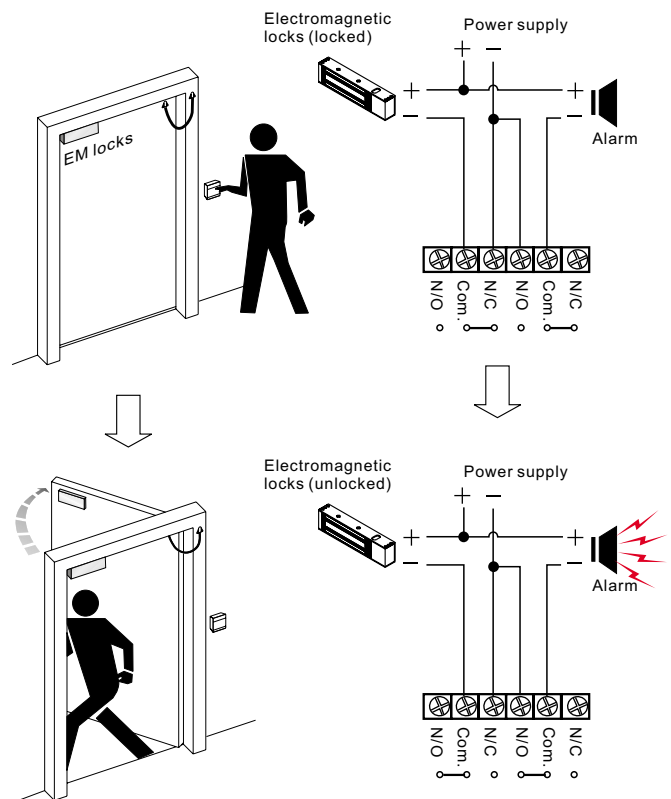
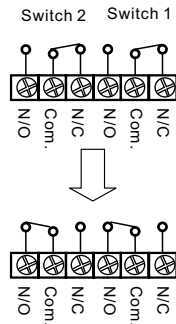
Unit: mm
(Common Europe Sized)

Application :

Specifications:

Dimensions: 88x88x60 mm
Contact Resistance: 150m
Switch rated: 3A@125V~

No need to power in. It has a double pole switch for monitoring in case of emergency when pressed on the front face of the unit; the contacts change from N/C to N/O.



Warranty:

GEM access control related accessories are warranted against defects in material and workmanship while used in normal service for a period of 1 year from the date of sale to the original customer.

Disclaimer:

The information and specifications printed in this manual are current at the time of publication. The GEM policy is one of continual development and improvement; therefore GEM reserves the right to change specifications without notice.