

Cam action door closers

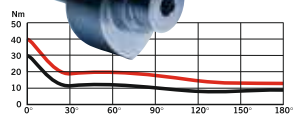
The DORMA TS 92 – specially developed for internal doors and likewise styled in the Contur design – constitutes the ideal complement to the DORMA TS 93 cam action door closer system. The linear drive with the heart-shaped cam offers the same excellent ease of use, and all the usual installation options are available.

Force profiles

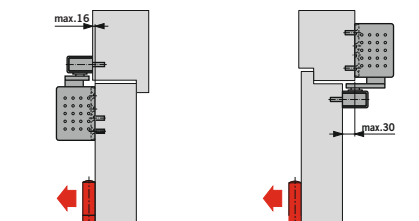
The linear drive and heart-shaped cam ensure that the resistance encountered when opening the door is reduced almost immediately.



reddot design award winner 2005



Force profiles
Closing force setting EN 4
— Opening moment
— Closing moment

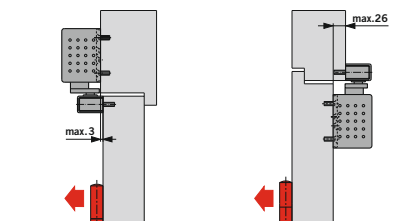


Door leaf fixing on the pull side DORMA TS 92 B

Structural conditions permitting, opening angles up to approx. 180° are possible

Transom fixing on the push side DORMA TS 92 B

Structural conditions permitting, opening angles of approx. 120° to 145° are possible. Install door stop at the maximum opening angle

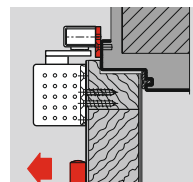


Transom fixing on the pull side DORMA TS 92 G

Structural conditions permitting, opening angles up to approx. 180° are possible

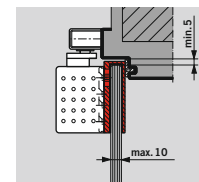
Door leaf fixing on the push side DORMA TS 92 G

Structural conditions permitting, opening angle from 120° to 145° are possible. Install a door stop at the maximum opening angle



Mounting backplate for G-N

For attaching the slide channel to the door frame where direct fixing is not possible



Saddle plate

For attaching the closer to toughened glass doors – no glass preparation, e.g. cutting and drilling, required

Data and features		TS 92 B/G ¹⁾
Closing force, adjustable	Spring size EN	2–4
Standard doors ²⁾	≤ 1100 mm	•
External doors, outward opening ²⁾		–
Fire and smoke check doors		•
Non-handed		•
Slide channel		•
Closing speed adjustable by valve in two individual ranges	180°–15° 15°– 0°	•
Cushioned limit stay		○
Hold-open (not for fire and smoke check doors)		○
Door closer compliant with EN 1154		•
CE mark		•

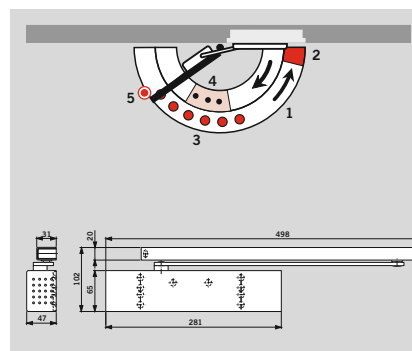
• yes – no ○ optional

¹⁾ B = Model for door leaf fixing on the pull side/transom fixing on the push side.
G = Model for door leaf fixing on the push side/transom fixing on the pull side.

²⁾ For particularly heavy doors and doors that have to close against wind resistance, we recommend the DORMA TS 93.



All examples refer to left-hand (ISO 6) doors; mirror image applies to right-hand (ISO 5) doors.



DORMA TS 92

- Non-handed model for RH (ISO 5) and LH (ISO 6)
- Adjustable closing force (EN 2–4)
- Closing speed adjustable in the range 180°–15° (1)
- Closing speed adjustable in the range 15°–0° (2)
- Optional mechanical RF hold-open with on/off switch (3)
- Cushioned limit stay, optional (4)
- Door stop OGRO TZ 5000 (5)

For specification texts, see page 288 ff.

Cam action door closers

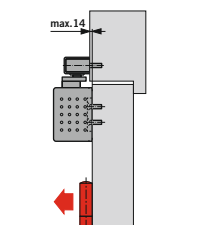
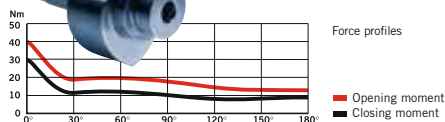
Designed for light internal doors, the DORMA TS 91 cam action door closer offers compelling benefits in the form of the easy to operate linear drive and its attractive Contur design. Its extensive fixing options and affordable price make it a highly popular solution for a wide range of applications.

Force profiles

The linear drive and heart-shaped cam ensure that the resistance encountered when opening the door is reduced almost immediately.

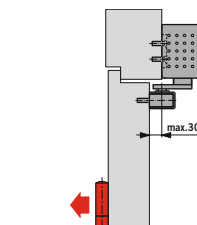


reddot design award
winner 2005



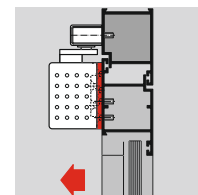
Door leaf fixing on the pull side

Structural conditions permitting, opening angles up to approx. 180° are possible



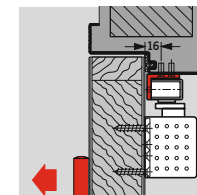
Transom fixing on the push side

Structural conditions permitting, opening angles from 120° to 145° are possible. Install a door stop at the maximum opening angle



Mounting backplate

For mounting on doors where direct fixing is not possible. With universal fixing hole pattern



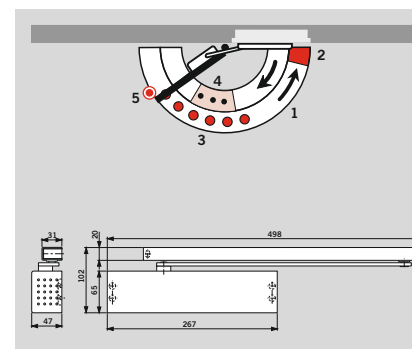
Angle bracket for G-N

For attaching the slide channel to door frames with a deep-set frame reveal when fixing on the push side. For TS 92 and TS 91

All examples refer to left-hand (ISO 6) doors; mirror image applies to right-hand (ISO 5) doors.

Data and features	TS 91 B
Closing force	Spring size EN 3
Standard doors ¹⁾	≤ 950 mm •
External doors, outward opening ¹⁾	–
Fire and smoke check doors	•
Non-handed	•
Slide channel	•
Closing speed adjustable by valve in two individual ranges	180°–15° 15°– 0° •
Cushioned limit stay	○
Hold-open (not for fire and smoke check doors)	○
Door closer compliant with EN 1154	•
CE mark	•
• yes – no ○ optional	

¹⁾ For particularly heavy doors and doors that have to close against wind resistance, we recommend the DORMA TS 93.



DORMA TS 91

- Non-handed model for RH (ISO 5) and LH (ISO 6)
- Closing force EN 3
- Closing speed adjustable in the range 180°–15° (1)
- Closing speed adjustable in the range 15°–0° (2)
- Optional mechanical RF hold-open with on/off switch (3)
- Mounting backplate with universal fixing hole pattern (4)
- Cushioned limit stay, optional (5)
- Door stop OGRO TZ 5000 (5)

For specification texts, see page 288 ff.